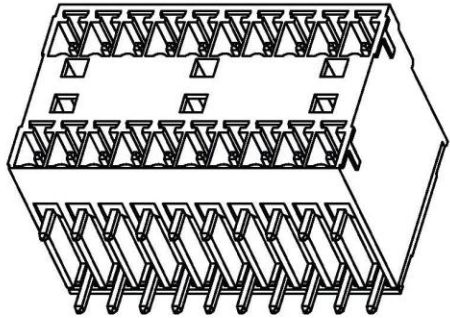
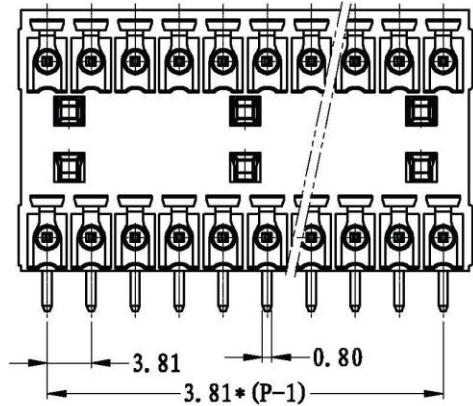
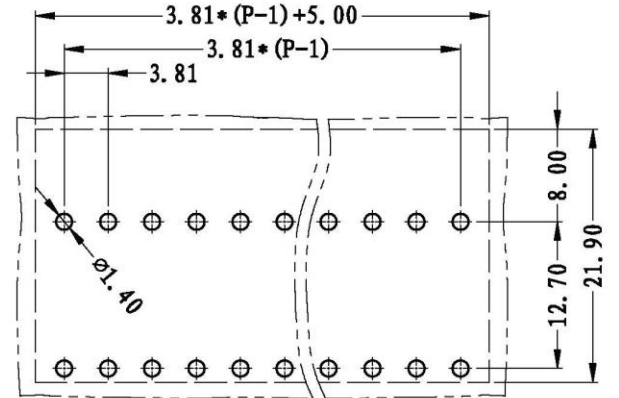
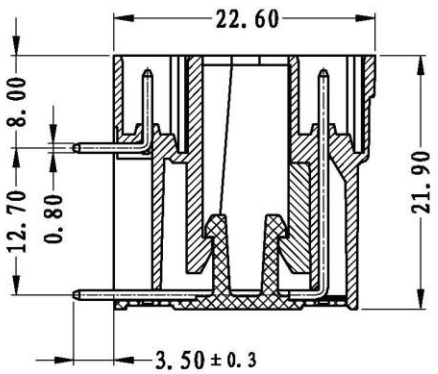
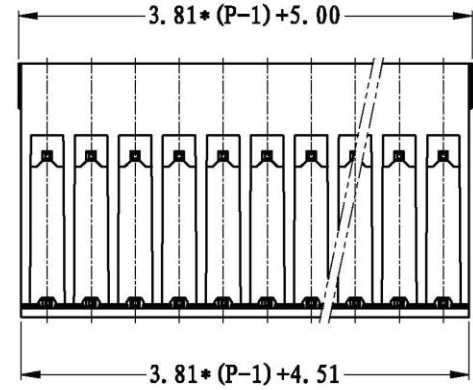


REVISION RECORD			
REV.	CONTENT	MOD.	DATE
△	初版发行		



**NOTES:**  
 Pitch: 3.81mm  
 Rated Voltage: 300V  
 Rated Current: 8A  
 Withstand Voltage:  
 AC2500V for 1 minute  
 Insulation Resistance:  
 5MΩ / DC500V  
 Using Temperature Range:  
 -40°C ~ +105°C

**技术要求:**  
 间距: 3.81mm  
 额定电压: 300V  
 额定电流: 8A  
 耐电压值: AC2500V/min  
 绝缘阻抗: 5MΩ/DC500V  
 使用条件: -40°C~+105°C



	pitch dimension			Nominal dimension					—
	over 0	over 6	over 10	over 0	over 30	over 60	over 100	over 150	
variable range	to 6	to 10	to 24	to 30	to 60	to 100	to 150		◇
Tolerance	±0.1	±0.15	±0.25	±0.2	±0.3	±0.5	±0.7	±1.0	○

4.	LZ3H-3.81-长弯针	1004B0001AV	P	黄铜	镀锡
3.	LZ1-3.81-弯针	1003B0002AV	P	黄铜	镀锡
2.	LZ3H-3.81-盖子	1004C0YXXAV	1	PA66-V0	
1.	LZ3H-3.81-本体	1004A0YXXAV	1	PA66-V0	
NO.	NAME OF PART	NO. OF PART	Q'TY	MATERIAL	NOTES
DES.	ARKINE	DATE	2010/5/26	UNITS	MM
CHK.		DATE		SIZE	A4
APP.		DATE		SCALE	1: 1
				DWG NO.	SP-2-1004001
				REV:	V0
				TITLE	LZ3RH-3.81-2*XXP-1Y-00A
					LZ3RH-3.81-成品

**上海联捷电气有限公司**  
 Shanghai Blinker Electric C.O,LTD