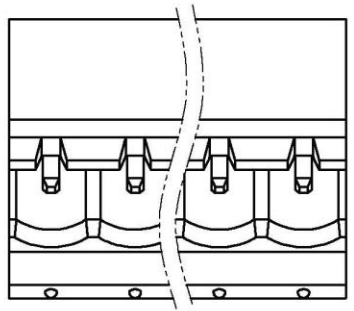
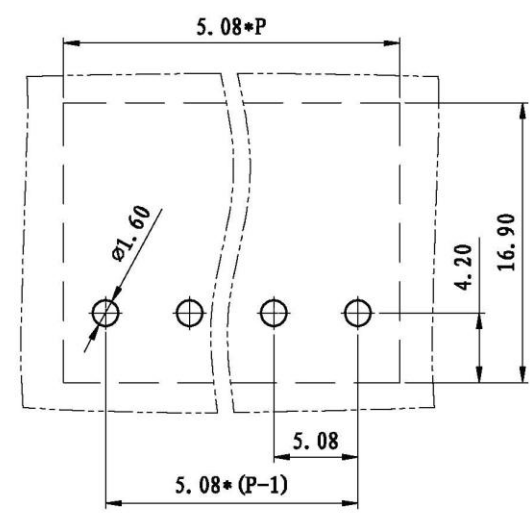
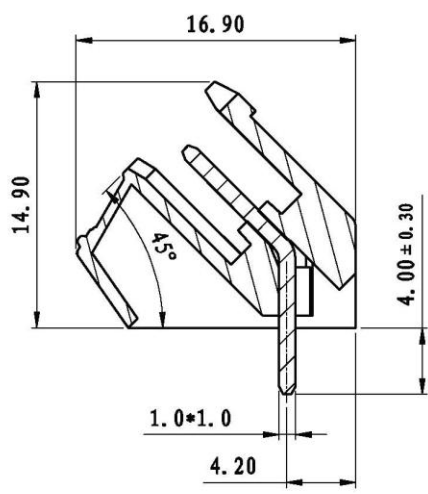
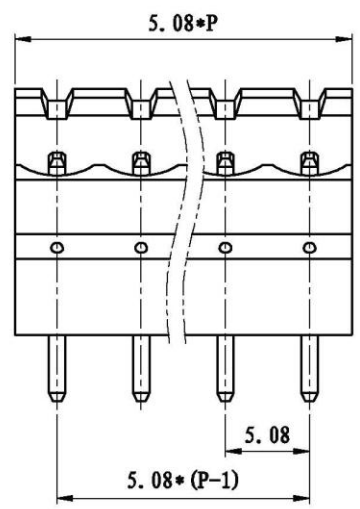


| REVISION RECORD | | | |
|-----------------|---------|------|------|
| REV. | CONTENT | MOD. | DATE |
| ① | 初版发行 | | |



NOTES:
 Pitch : 5.08mm
 Rated Voltage : 300V
 Rated Current : 15A
 Withstand Voltage :
 AC2500V for 1 minute
 Insulation Resistance :
 5MΩ / DC500V
 Using Temperature Range :
 -40℃ ~ +105℃

技术要求:
 间距: 5.08mm
 额定电压: 300V
 额定电流: 15A
 耐电压值: AC2500V/min
 绝缘阻抗: 5MΩ/DC500V
 使用条件: -40℃~+105℃



| | pitch dimension | | | Nominal dimension | | | | | — ◇ ○ |
|----------------|-----------------|-----------------|------------------|-------------------|------------------|-------------------|--------------------|----------|-------------|
| | over 0 to 6 | over 6 to 10 | over 10 to 24 | over 0 to 30 | over 30 to 60 | over 60 to 100 | over 100 to 150 | over 150 | |
| variable range | 0 | 6 | 10 | 0 | 30 | 60 | 100 | 150 | — |
| Tolerance | ±0.1 | ±0.15 | ±0.25 | ±0.2 | ±0.3 | ±0.5 | ±0.7 | ±1.0 | 0.05/10 |

| 2 | LZZD-5.08-针 | 1042B0001AV | P | 黄铜 | 镀锡 |
|---|---------------|-------------|-----------|------------------------|---------------------------------------|
| 1 | LZZDK-5.08-主体 | 1042X0YXXAV | 1 | PA66 | |
| NO. | NAME OF PART | NO. OF PART | Q'TY | MATERIAL | NOTES |
| DBS. | XLM | DATE | 2012/4/27 | UNITS | MM |
| CHK. | DATE | SIZE | A4 | THIRD ANGLE PROJECTION | SHEET |
| APP. | DATE | SCALE | 1:1 | DWG NO. | SP-2-1042001 |
| 上海联捷电气有限公司 Shanghai Blinker Electric Co., Ltd. | | | | TITLE | LZZDK-5.08-XP-1Y-00A LZZDK-5.08-成品 |