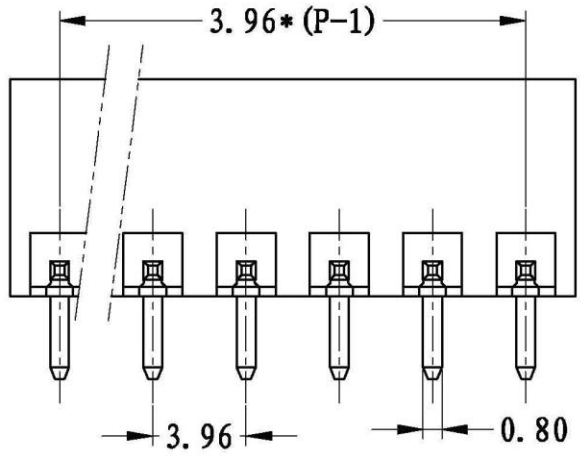
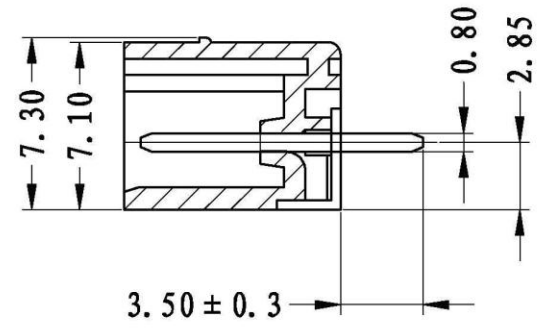
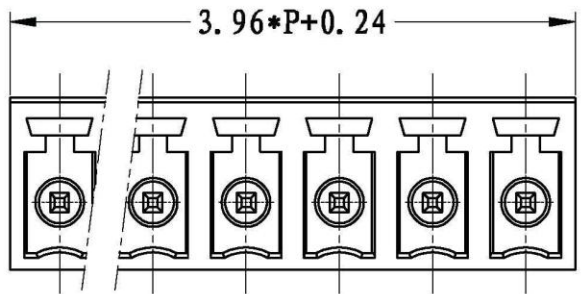


REVISION RECORD			
REV.	CONTENT	MOD.	DATE
△	新发行		



NOTES:

1. Voltage Rating: 300V, Current Rating: 8A
2. PITCH: 3.96mm
3. Insulation Withstands Voltage: AC3000V/min
4. Insulation Resistance: 1000MΩ or more at DC500V
5. Using Temperature Range: -40° C - +105° C

技术要求:

1. 额定电压: 300V, 额定电流: 8A
2. 间距: 3.96mm
3. 耐电压值: AC 3000V/min
4. 绝缘阻抗1000兆欧
5. 使用条件: -40° - +105°

TOLERANCES EXCEPT AS NOTED

variable range	linear dimension					fillet	chamfer	short angle			sid	≡	-	□	//	⊥
	to	over	over	over	over			to	to	to						
±0.1	6	30	120	480	all	to 6	to 10	to 50	to 120	to 10	to 30	to 5	to 30	to 120	to 0.4	
±0.2	30	120	480	all	to 6	to 10	to 50	to 120	to 10	to 30	to 5	to 30	to 120	to 0.4		
±0.3	120	480	all	to 6	to 10	to 50	to 120	to 10	to 30	to 5	to 30	to 120	to 0.4			
±0.5	480	all	to 6	to 10	to 50	to 120	to 10	to 30	to 5	to 30	to 120	to 0.4				
±0.9	all	to 6	to 10	to 50	to 120	to 10	to 30	to 5	to 30	to 120	to 0.4					

2	LZ1-3.81-直针	1003B00010V	P	黄铜	镀锡
1	LZ1-3.96-本体	1049A40XXAV	1	PA66-V0	绿色
NO.	NAME OF PART	NO. OF PART	Q'TY	MATERIAL	NOTES
DES.	arkine	DATE	11-07-5	UNITS	MM
CHK.	DATE	SIZE	A4	THIRD ANGLE PROJECTION	
APP.	DATE	SCALE	2:1	DWG NO.	SP-1-1049004
上海联捷电气有限公司 Shanghai Blinker Electric C.O., LTD				TITLE	LZ1V-3.96-XXP-140-00A
					LZ1V-3.96