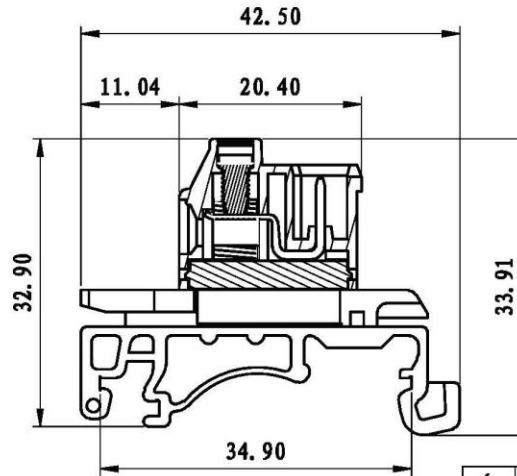
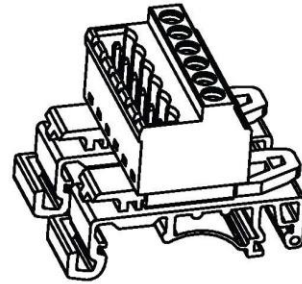
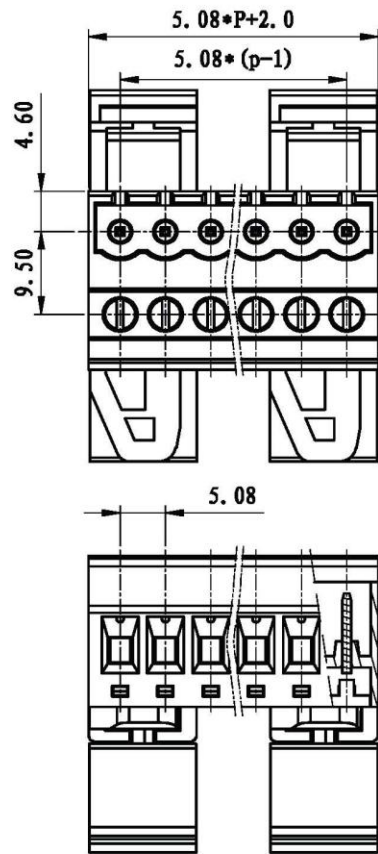


REVISION RECORD			
REV.	CONTENT	MOD.	DATE
△	组装时容易出现断裂, 加筋	ZSH	2015/02/07



NOTES:

Pitch: 5.08mm Pole: 2-24P
 Rated Voltage: 300V
 Rated Current: 15A
 Withstand Voltage: AC2500V for 1 minute
 Insulation Resistance : 5MΩ/DC500V
 Using Temperature Range : -40° →+150°
 Wire range : 24-12 AWG
 Screw Torque Value : 0.5 N.m

技术要求:

间距: 5.08mm 极数: 2-24P
 额定电压: 300V
 额定电流: 15A
 耐电压值: AC 2500V/min
 绝缘阻抗: 5MΩ
 使用条件: -40℃ →+105℃
 适用线规: 24-12AWG
 螺丝扭矩: 0.5 N.m

备注: 2-4线只使用1个脚并且位产品正中间, 5-24线使用2个脚

	pitch dimension			Nominal dimension					— /
	over 0 to 6	over 6 to 10	over 10 to 24	over 0 to 30	over 30 to 60	over 60 to 100	over 100 to 150	over 150	
variable range	0	6	10	0	30	60	100	150	□ ○
Tolerance	±0.1	±0.15	±0.25	±0.2	±0.3	±0.5	±0.7	±1.0	0.05/10

6	LC18-5.08方针	1047B0001AV	P	紫铜	镀锡
5	LC1-5.08-方块	F1A0B1C5083V	P	黄铜	镀镍
4	LC1-5.08-螺丝	SP07A305301V	P	碳钢	三价铬钝化彩锌
3	LC16脚	1045A0YXXAV	1-2	PA66-V0	
2	LC19U-5.08-盖板	1050C0YXXAV	1	PA66-V0	
1	LC19U-5.08-主体	1050A0YXXAV	1	PA66-V0	
NO.	NAME OF PART	NO. OF PART	QTY	MATERIAL	NOTES
DES.	LDD	DATE	2012/05/19	UNITS	mm
CHK.		DATE		SIZE	A4
APP.		DATE		SCALE	1:1
				DWG NO.	SP-2-1050002
				REV.	Y1
上海联捷电气有限公司 Shanghai Elinker Electric CO.,LTD				TITLE	LC19U-5.08-XP-1Y-00A LC19U-5.08成品