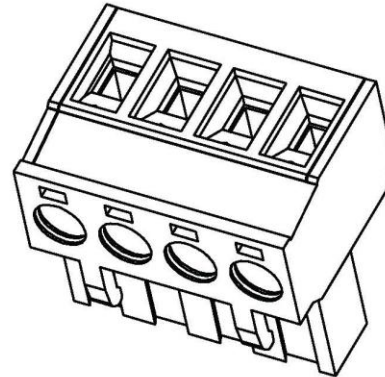
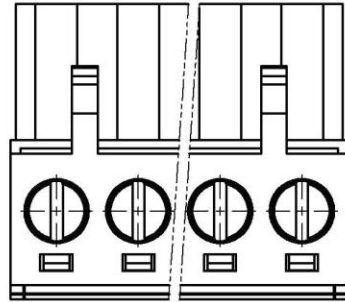
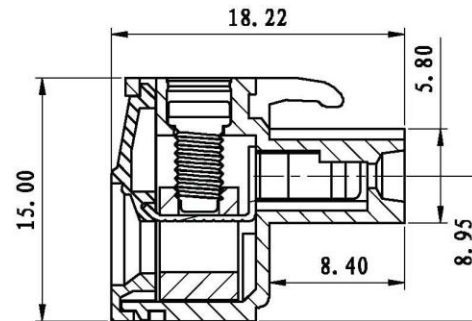
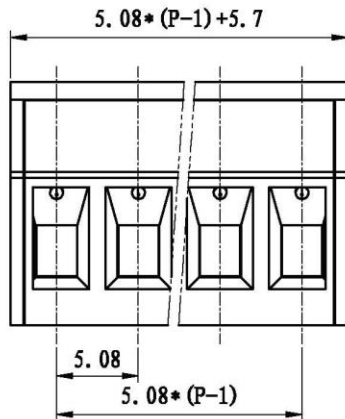


REVISION RECORD

REV.	CONTENT	MOD.	DATE
△	新发行		



NOTES:
 Pitch : 5.08mm
 Rated Voltage : 300 V
 Rated Current : 15 A
 Withstand Voltage :
 AC2500V for 1 minute
 Insulation Resistance :
 5MΩ / DC500V
 Using Temperature Range :
 - 40℃ ~ + 105℃
 Wire range : 24~12 AWG
 Screw Torque Value : 0.5N.m



技术要求:
 间距: 5.08mm
 额定电压: 300V
 额定电流: 15A
 耐电压值: AC2500V/min
 绝缘阻抗: 5MΩ/DC500V
 使用条件: -40℃~+105℃
 适用线规: 24~ 12AWG
 螺丝扭矩: 0.5N.m

	pitch dimension			Nominal dimension					— □ ○
	over 0	over 6	over 10	over 0	over 30	over 60	over 100	over 150	
variable range	to 6	to 10	to 24	to 30	to 60	to 100	to 150		
Tolerance	±0.1	±0.15	±0.25	±0.2	±0.3	±0.5	±0.7	±1.0	0.05/10

5	LC1-5.08-盖板	1001COYXXAV	1	PA66	UL94, V-0
4	LC1-5.08-螺丝	SPOYA305301V	P	碳钢	三价铬钝化彩锌
3	LC1-5.08-铜方块	F1A0BLCS083V	P	黄铜	镀镍
2	LC5-5.08-夹子	1036B0001AV	P	磷青铜	镀镍
1	LC5-5.08-主体	1036MOYXXAV	1	PA66	UL94, V-0
NO.	NAME OF PART	NO. OF PART	QTY	MATERIAL	NOTES
DES.	xlm	DATE	2012/3/16	UNITS	mm
CHK.	DATE	SIZE	A4	THIRD ANGLE PROJECT	
APP.	DATE	SCALE		DWG NO.	SP-1-1036A01 RBV: V0
上海联捷电气有限公司 Shanghai Elinker Electric CO.,LTD				TITLE	LC5-5.08-XXP-1Y-00A LC5-5.08-成品