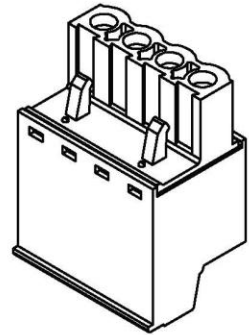
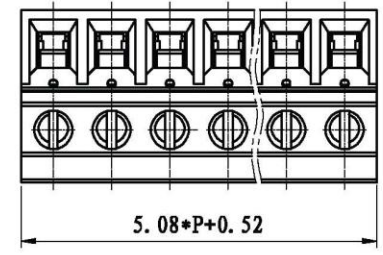
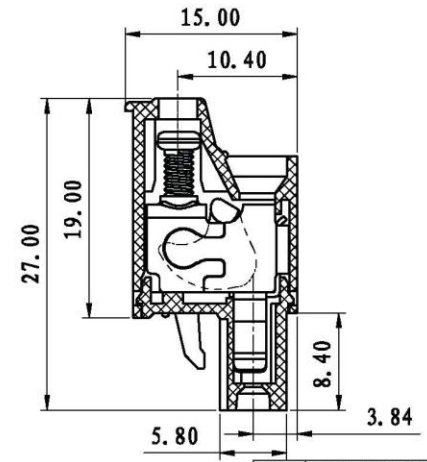
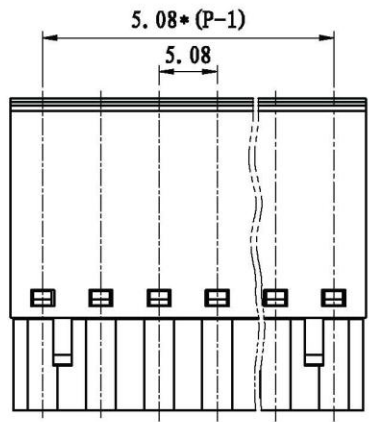


REVISION RECORD			
REV.	CONTENT	MOD.	DATE
△	增加脱模斜度	XLM	2012/02/10
△	第一次增加无效果, 再次增加脱模斜度	XLM	2012/02/22
△	防止螺丝在使用中倾斜	LDD	2013/11/08
△	改善盖板和本体的匹配	LDD	2014/12/10



- NOTES:
1. Voltage Rating: 300V, Current Rating: 15A
 2. PITCH: 5.08mm
 3. Insulation Withstands Voltage: AC2500V/min
 4. Insulation Resistance: 5MΩ or more at DC500V
 5. Using Temperature Range: -40° C - +105° C
 6. Suitable Electric Wire: 30-12AWG
 7. Screw Torque Value: 0.4N.m

- 技术要求:
1. 额定电压: 300V, 额定电流: 15A
 2. 间距: 5.08mm
 3. 耐电压值: AC 2500V/min
 4. 绝缘阻抗: 5兆欧
 5. 使用条件: -40° - +105°
 6. 适用线规: 30-12AWG
 7. 螺丝扭力: 0.4N.m



	pitch dimension			Nominal dimension					— /
	over 0	over 6	over 10	over 0	over 30	over 60	over 100	over 150	
variable range	to 6	to 10	to 24	to 30	to 60	to 100	to 150		□ ○
Tolerance	±0.1	±0.15	±0.25	±0.2	±0.3	±0.5	±0.7	±1.0	0.05/10

6	LC3-5.08-盖子	1009B0002AV	P	磷青铜	镀镍
5	LC3-5.08-方盒	F1A0ALC35RAV	P	碳钢	三价铬钝化彩锌
4	LC3-5.08-压块	1009B0001AV	P	碳钢	三价铬钝化彩锌
3	LC3-5.08-螺丝	SP0YA256501V	P	碳钢	三价铬钝化彩锌
2	LC3-5.08-盖子	1009C0YXXAV	1	PA66-V0	
1	LC3-5.08-本体	1009A0YXXAV	1	PA66-V0	
NO.	NAME OF PART	NO. OF PART	Q'TY	MATERIAL	NOTES
DES.	ARKINE	DATE	2011/02/24	UNITS	mm
CHK.		DATE		SIZE	A4
APP.		DATE		SCALE	1:1
				DWG NO.	SP-2-1009001
				TITLE	LC3-5.08-成品

上海联捷电气有限公司
Shanghai Blinker Electric C.O,LTD