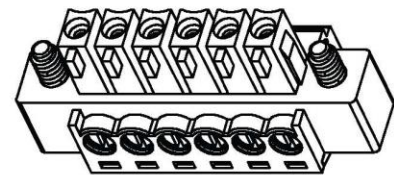
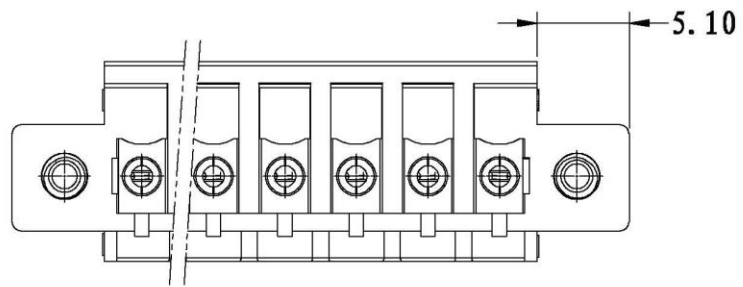
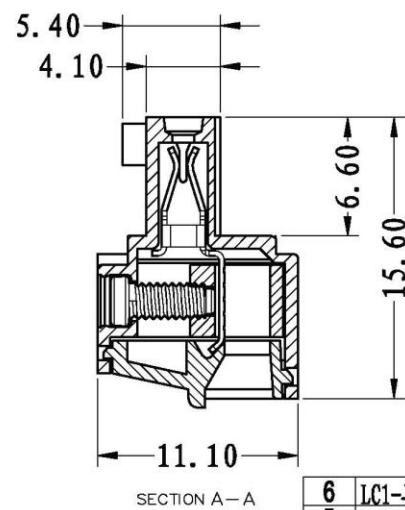
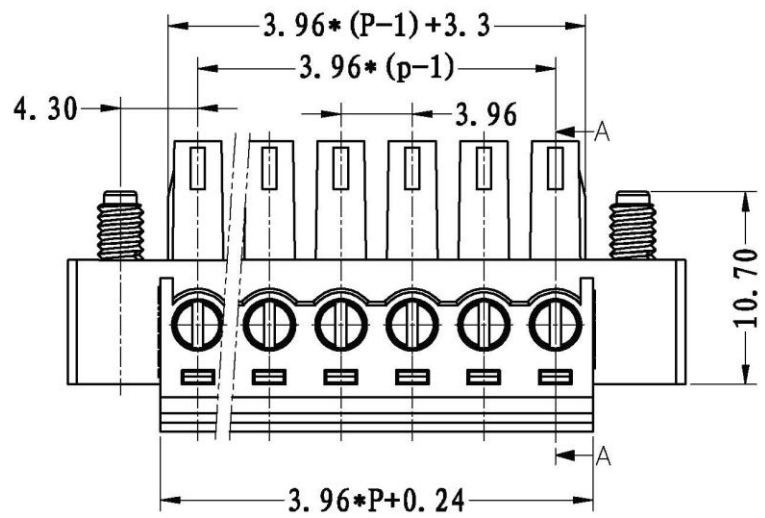


REVISION RECORD			
REV.	CONTENT	MOD.	DATE
△			



- NOTES:
1. Voltage Rating: 300V, Current Rating: 8A
 2. PITCH: 3.96mm
 3. Insulation Withstands Voltage: AC2000V/min
 4. Insulation Resistance: 100MΩ or more at DC500V
 5. Using Temperature Range: -40° C - +105° C
 6. Suitable Electric Wire: 28-16 AWG
 7. Screw Torque Value: 0.22-0.25Nm
 8. Pole: 2-24P



- 技术要求:
1. 额定电压: 300V, 额定电流: 8A
 2. 间距: 3.96mm
 3. 耐电压值: AC2000V/min
 4. 绝缘阻抗: 100兆欧
 5. 使用条件: -40° - +105°
 6. 适用线规: 28-16 AWG
 7. 螺丝扭矩: 0.22-0.25Nm
 8. 极数: 2-24线

TOLERANCES EXCEPT AS NOTED

variable range	linear dimension				fillet	chamfer	short angle sid				≡	—	□	//	⊥		
	to 6	to 30	to 120	to 480			to 6	to 10	to 50	to 120						to 5	to 30
Tolerance	±0.1	±0.2	±0.3	±0.5	±0.9	±0.2	±0.5	±1	1'	30'	20'	10'	0.3	0.025	0.06	0.12	0.4

NO.	NAME OF PART	NO. OF PART	Q'TY	MATERIAL	NOTES
6	LC1-耳朵螺丝	SSM0250010V	2	碳钢	三价铬钝化彩锌
5	LC1-3.81-螺丝	SSM0200010V	P	碳钢	三价铬钝化彩锌
4	LC1-3.81-铜方块	F00000020V	P	黄铜	镀镍
3	LC1-3.81-夹子	1002B00010V	P	磷青铜	镀镍
2	LC1-3.96-盖子	1048C40XXAV	1	PA66-V0	绿色
1	LC1M-3.96-本体	1048M40XXAV	1	PA66-V0	绿色

DES.	arkine	DATE	11-04-06	UNITS	MM	THIRD ANGLE PROJECTION	SHRBT
CHK.		DATE		SIZE	A4		1 of 1
APP.		DATE		SCALE	10:1		DWG NO.

上海联捷电气有限公司
 Shanghai Blinker Electric C.O., LTD

TITLE LC1M-3.96-XXP-140-00A
 LC1M-3.96-成品